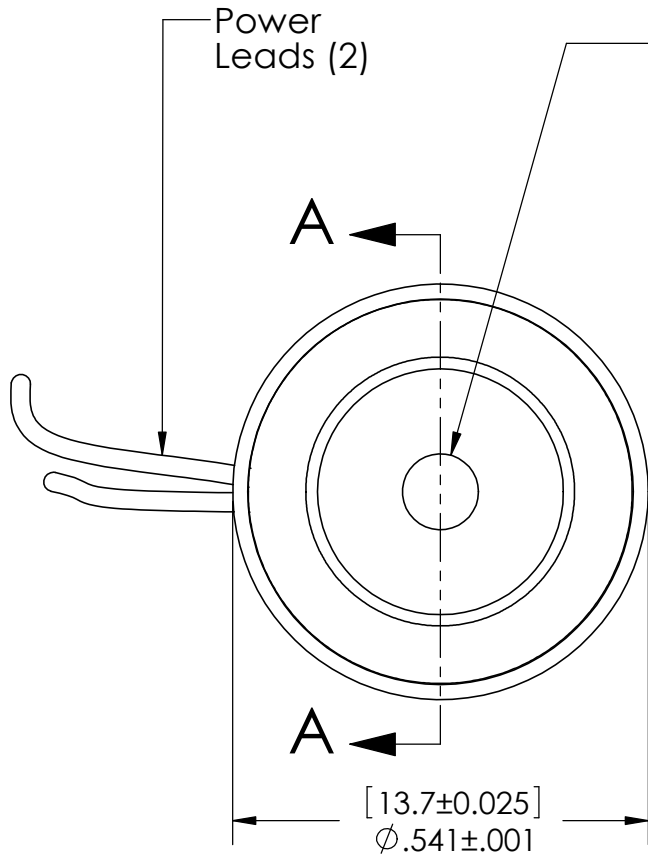


These drawings and specifications are the property of H2W Technologies, Inc. They are issued in confidence and shall not be reproduced, copied, or used without written permission from H2W Technologies, Inc. (www.h2wtech.com)

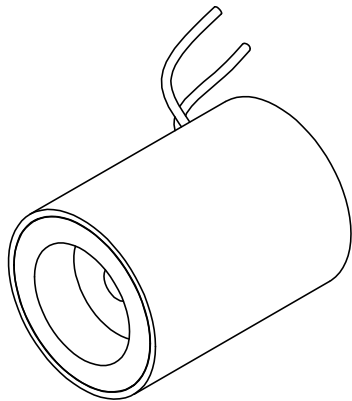
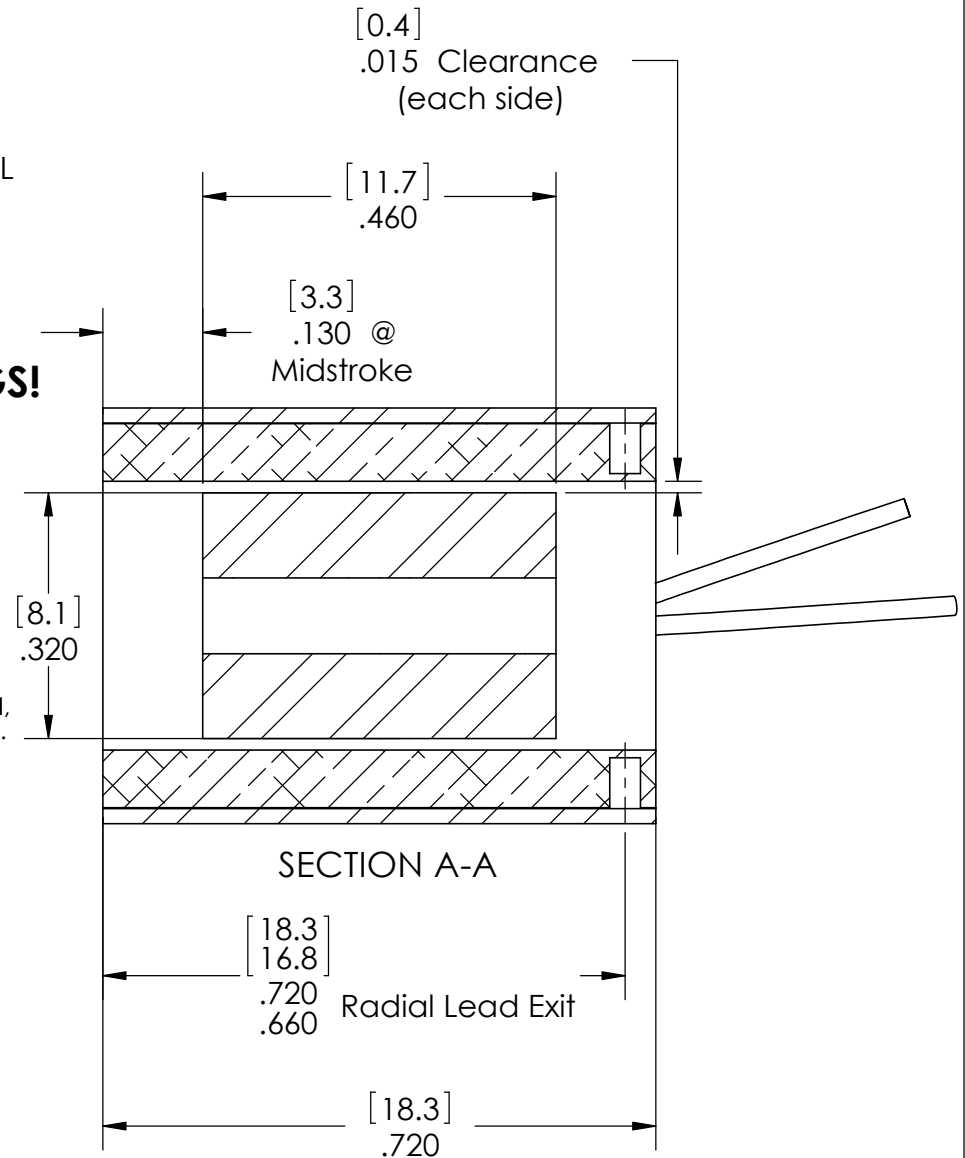


NO BEARINGS!

MOTION ←

MOTION ←

When + is connected to **Red**, and - is connected to **Black**.



UNLESS SPECIFIED OTHERWISE:
All dimensions are in inches
Standard Tolerances are as follows
.XXX ±.005 ANGLES ±1°
.XX ±.010 FILLETS .010
X ±.020 CORNERS .010
Remove All Burrs and Sharp Edges

MATERIAL			
FINISH			
DRAWN	DATE	APPROVED	DATE
JRM	10-28-07	MPW	10-28-07

TITLE			
Moving Magnet Non-Comm DC Linear Actuator Model # NCM01-05-003-3X			
DWG #	REV	SHEET	
30-0617	B	1 of 2	

H2W Technologies, Inc.
28310-C Ave Crocker Valencia, CA 91355 USA
Tel: (661)-702-9346 Fax: (661)-702-9348
www.h2wtech.com

NON-COMM ACTUATOR SPECIFICATIONS		
Motor P/N	NCM01-05-003-3X	
Device Type	Moving Magnet	
Stroke	0.10 in	2.5 mm
Radial Clearance	0.015 in	0.38 mm
Bearing Type	None Provided	
Moving Mass	0.16 oz	4.4 grams
Total Mass	0.49 oz	14 grams
Resistance @ 20C	4.3 ohms	
Inductance @ 20C	0.25 mH	
Electrical Time Constant	0.06 msec	
Motor Constant	0.25 lbs/sqrt(watt)	1.10 N/sqrt(watt)
Force Constant	0.5 lbs/amp	2.3 N/amp
Back EMF	0.06 V/ips	2.3 V/m/sec
Force @ 100% Duty	0.27 lbs	1.2 N
Power @ 100% Duty	1 watts	
Current @ 100% Duty	0.5 amps	
Force @ 10% Duty	0.81 lbs	3.6 N
Power @ 10% Duty	11 watts	
Current @ 10% Duty	1.6 amps	

TITLE		
Moving Magnet Non-Comm DC Linear Actuator Model # NCM01-05-003-3X		
DWG #	REV	SHEET
30-0617	B	2 of 2